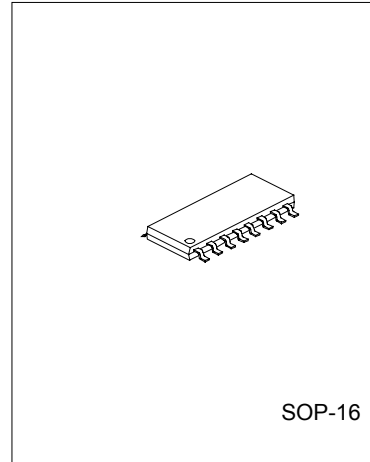


UTC TDA7088 LINEAR INTEGRATED CIRCUIT

FM RECEIVER CIRCUIT FOR BATTERY SUPPLY

DESCRIPTION

The UTC TDA7088 is a bipolar integrated circuit for use in mono portable and pocket radios. It is used when a minimum of peripheral components (of small dimensions and low costs) is important. The circuit contains a frequency-locked-loop(FLL) system with an Intermediate Frequency (IF) of about 70kHz. Selectivity is achieved by active RC-filters. De-tuning related to the IF and too weak input signals is suppressed by the mute circuit.



FEATURES

- *Equipped with all stages of a mono receiver from antenna to audio output.
- *Mute circuit
- *Search tuning with a single varicap diode
- *Mechanical tuning with integrating AFC
- *AM application supported
- *Power supply polarity protection
- *Power supply voltage down to 1.8V

APPLICATIONS

- *Mechanical tuning ; this is possible with or without integrating AFC circuit
- *Electrical tuning; this is realized by one directional (band-up) search tuning facility, including RESET to the lower-band limit.

ABSOLUTE MAXIMUM RATINGS

PARAMETER	SYMBOL	VALUE		UNIT
		MIN	MAX	
Supply Voltage	Vp	0	5	V
Storage Temperature	Tstg	-55	+150	°C
Operating ambient temperature	Tamb	-10	70	°C
Electrostatic handling; note 1	Ves			

Note 1: There is no special ESD protection circuit built-in; ESD data on request.

UTC TDA7088 LINEAR INTEGRATED CIRCUIT

ELECTRICAL CHARACTERISTICS

(Over recommended operating free-air temperature range, $V_{CC}=15V$, $f=1kHz$, Unless otherwise specified)

PARAMETER	SYMBOL	CONDITIONS	MIN	TYP	MAX	UNIT
Supply Voltage	V_p		1.8	3	5	V
Supply Current	I_p		4.2	5.2	6.6	mA
Radio Input Frequency	f_{IRF}		0.5		110	MHz
RF sensitivity input voltage (RMS value)	$V_i(rms)$	$V_{OAF}=-3dB$, $V_{OAF}=0dB$ at $V_i=1mV$, mute off		3	6	μV
Signal handling		$\Delta f=\pm 75kHz$, $THD<10\%$	100	200		mV
Audio Output Signal (RMS value)	$V_o(rms)$	$R_L=22k\Omega$	60	85	120	mV
Operating Ambient Temperature	T_{amb}		-10		70	$^{\circ}C$

BLOCK DIAGRAM

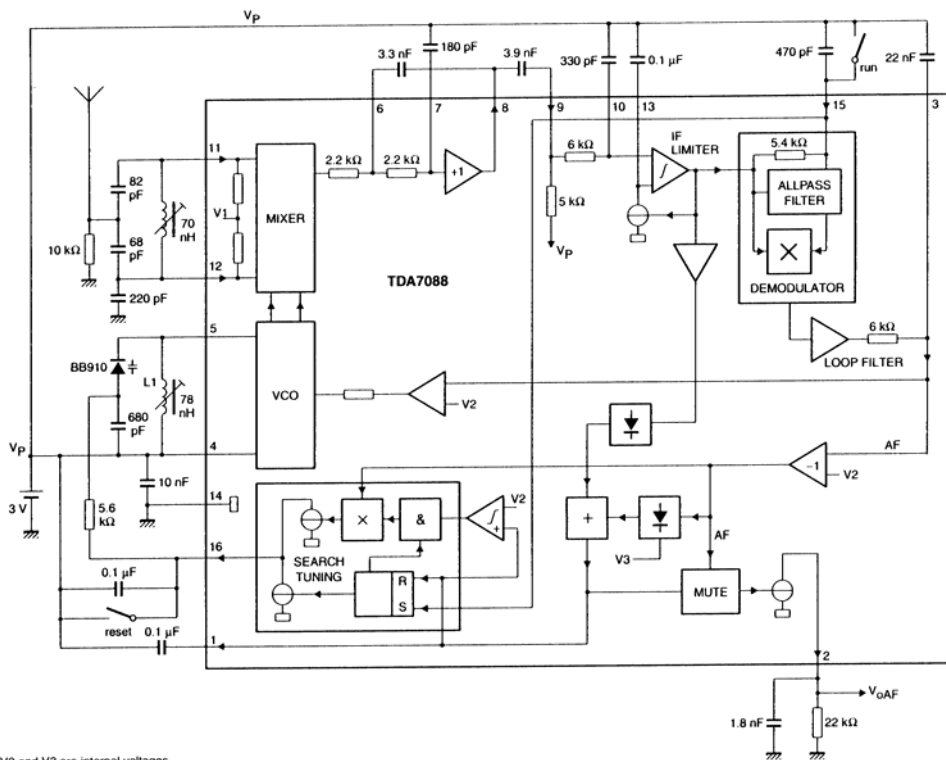


Fig.1 Block diagram and application circuit for search tuning.

UTC TDA7088 LINEAR INTEGRATED CIRCUIT

PIN CONFIGURATIONS

PIN	SYMBOL	DESCRIPTION
1	MUTE	Mute output
2	VOAF	Audio frequency output signal
3	LOOP	AF loop filter
4	Vp	+3V supply voltage
5	OSC	Oscillator resonant circuit
6	IFFB	IF feedback
7	CLP1	Low-pass capacitor of 1 dB amplifier
8	VOIF	IF output to external coupling capacitor (high-pass)
9	ViLF	IF input to limiter amplifier
10	CLP2	Low-pass capacitor of IF limiter amplifier
11	ViRF	Radio frequency input
12	CLRF	Radio frequency input
13	CLIM	Limiter offset voltage capacitor
14	GND	Ground(0V)
15	CAP	All-pass filter capacitor/input for search tuning
16	TUNE	Electrical tuning/AFC output

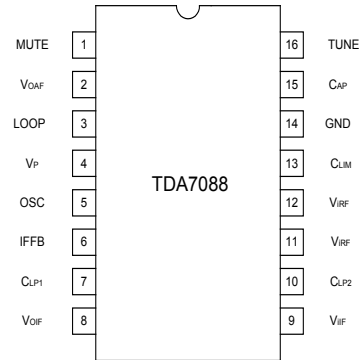


Fig.2

DC CHARACTERISTICS

Vp=3V, Tamb=25°C, unless otherwise specified.

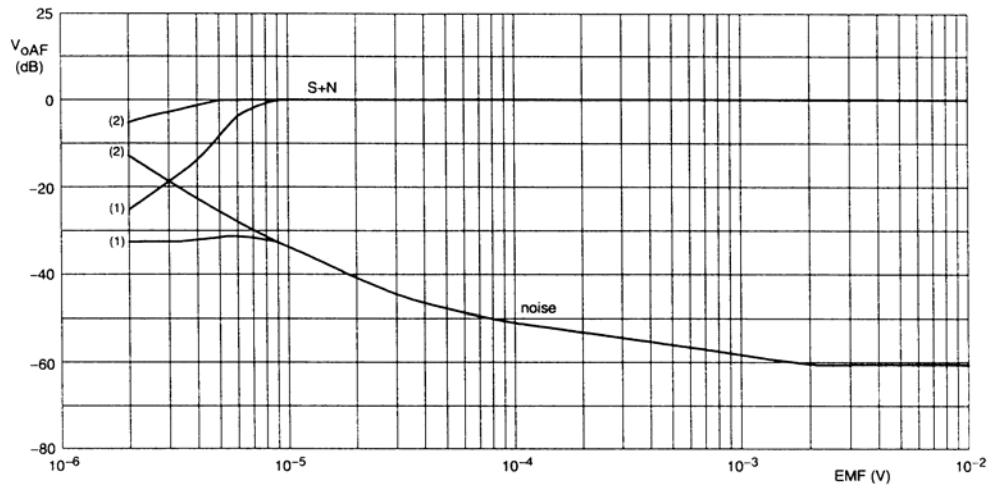
PARAMETER	SYMBOL	MIN	TYP	MAX	UNIT
Supply Voltage (pin4)	Vp	1.8	3	5	V
Supply Current (pin4)	Ip	4.2	5.2	6.6	mA
DC voltage on pin1	V1	2.5	2.55	2.6	V
DC voltage on pin3	V3	2.64	2.69	2.74	V
DC voltage on pins 6 and 7	V6,7	2.38	2.44	2.5	V
DC voltage on pin 8	V8	1.6	1.67	1.74	V
DC voltage on pin 9,10 and 13	V9,10,13	2.42	2.47	2.52	V
DC voltage on pins 11 and 12	V11,12	0.91	0.94	0.98	V
DC voltage on pin 15	V15	2.06	2.12	2.18	V
AF output current on pin2	I2	45	60	80	μA
Oscillator current on pin5	I5	275	375	500	μA

UTC TDA7088 LINEAR INTEGRATED CIRCUIT

AC CHARACTERISTICS

Vp=3V, Tamb=25°C, fIRF=96MHz modulated with fmod=1kHz and +-22.5kHz deviation; Vi=400µV(measured as EMF, Rs=75Ω) and measurements taken in Fig.4; unless otherwise specified.

PARAMETER	SYMBOL	CONDITIONS	MIN	TYP	MAX	UNIT
RF sensitivity input voltage (RMS value)	Vi(rms)	VOAF=-3dB;VOAF=0dB at Vi=1mV;see Fig.3		3	6	µV
		Mute off	3	6	12	µV
		Mute on	3	6	12	µV
		(S+N)/N =26dB		5	10	µV
Signal handling	Vi(rms)	Δf=+-75kHz, THD<10%	100	200		mV
Signal plus noise-to-noise ratio	(S+N)/N	See Fig.3	52	56		dB
Total harmonic distortion	THD	Δf=+-22.5kHz		1	1.4	%
		Δf=+-75kHz		2.4	3.3	%
AM suppression	αAM	FM:1kHz,+75kHz, AM:1kHz,m=0.8	47	52		dB
Ripple rejection	RR1000	100mV RMS ripple on Vp,f=1kHz	7	10		dB
Audio output signal (RMS value)	Vo(rms)	RL=22kΩ	60	85	120	mV
Search Tuning (with BB910 and C16=0.1µF) see Fig.1						
Minimum output voltage on pin16	V16	Limiting point		Vp - 1.85		V
Tuning steepness	ΔV/Δt	Voltage at pin16	95	210	420	mV/s
Oscillator steepness	ΔFosc/Δt		1.25	2.83	5.6	MHz/s
AFC steepness	ΔIAFC/ΔV3	Voltage at pin3	4.75	9.5	19	µS

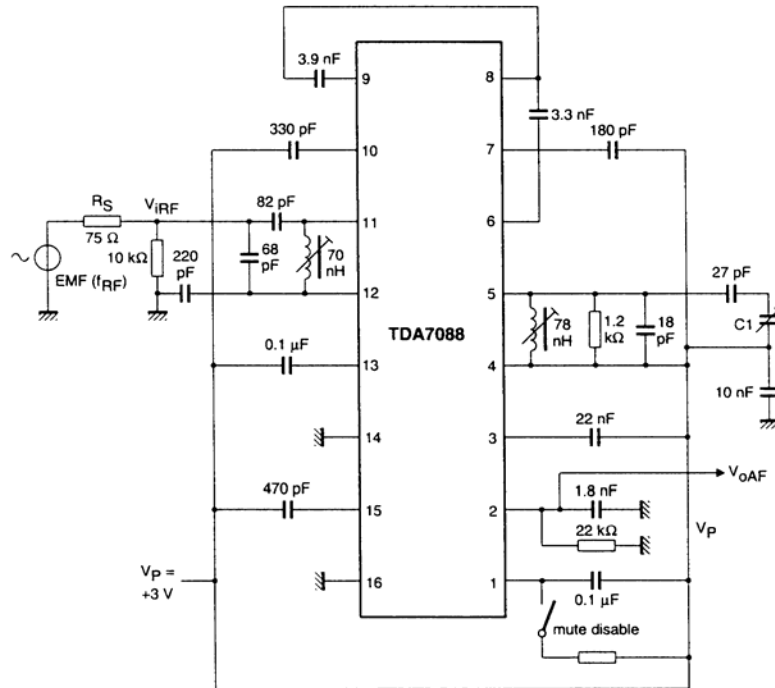


- (1) Mute on.
- (2) Mute off.

Fig.3 Input sensitivity.

UTC TDA7088 LINEAR INTEGRATED CIRCUIT

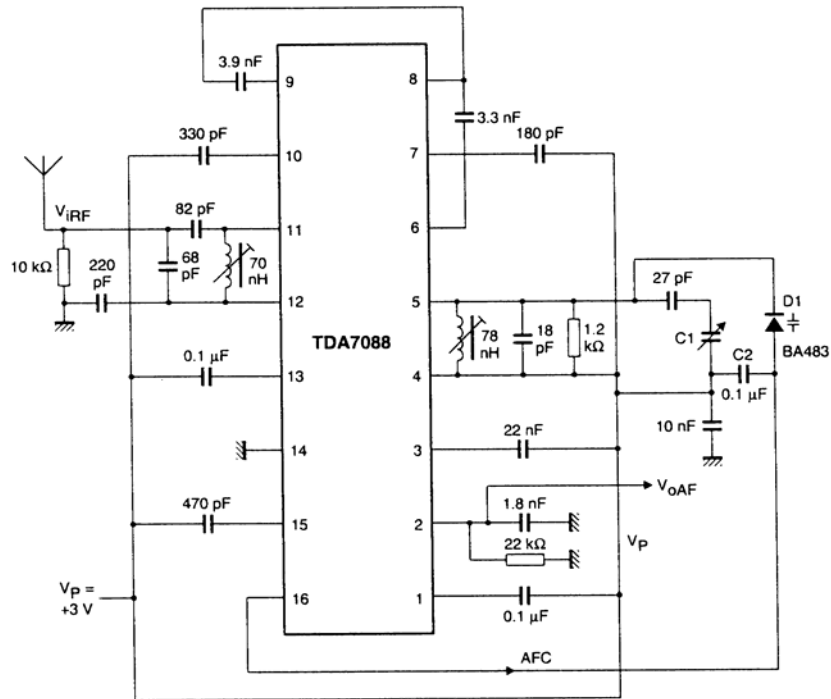
TEST CIRCUIT



C1 = Toko 2A-15BT-R01.

Fig.4 Test circuit and application for mechanical tuning.

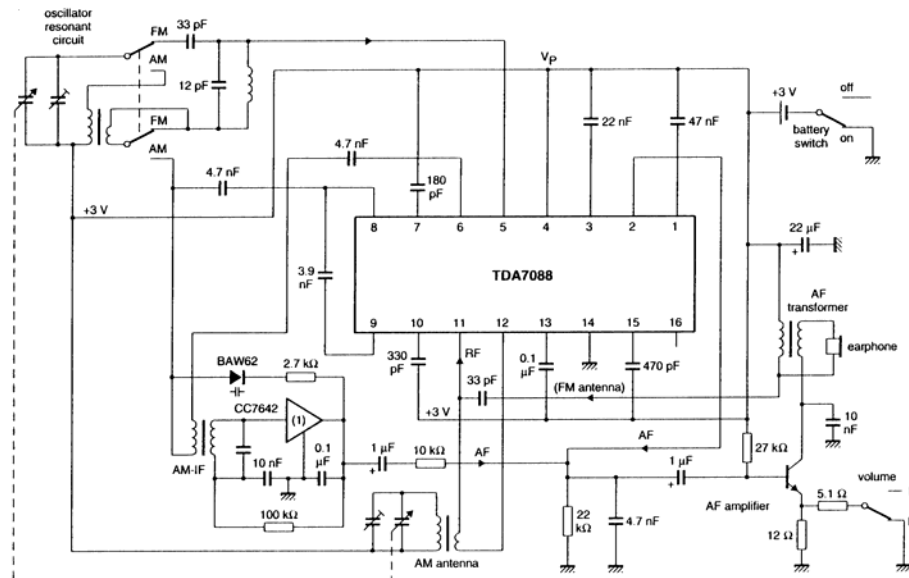
UTC TDA7088 LINEAR INTEGRATED CIRCUIT



C1 = Toko 2A-15BT-R01.

Fig.5 Application circuit with AFC for mechanical tuning.

UTC TDA7088 LINEAR INTEGRATED CIRCUIT



(1) CC7642: AM-IF amplifier/demodulator type number WU-xi 742 Fty.

Fig 6 AM application circuit.

UTC assumes no responsibility for equipment failures that result from using products at values that exceed, even momentarily, rated values (such as maximum ratings, operating condition ranges, or other parameters) listed in products specifications of any and all UTC products described or contained herein. UTC products are not designed for use in life support appliances, devices or systems where malfunction of these products can be reasonably expected to result in personal injury. Reproduction in whole or in part is prohibited without the prior written consent of the copyright owner. The information presented in this document does not form part of any quotation or contract, is believed to be accurate and reliable and may be changed without notice.